



Barcode: 5060452080239

pipestor™

Product code: PS3

- » Mobile unit for securing long lengths of pipe and conduit.
- » 4 internal compartments maximises storage capacity.
- » Supplied in 1.5m sections which are bolted together.



Watch the PipeStor in action



Product features



5-lever deadlock



Standard 6" castors



Forklift skids

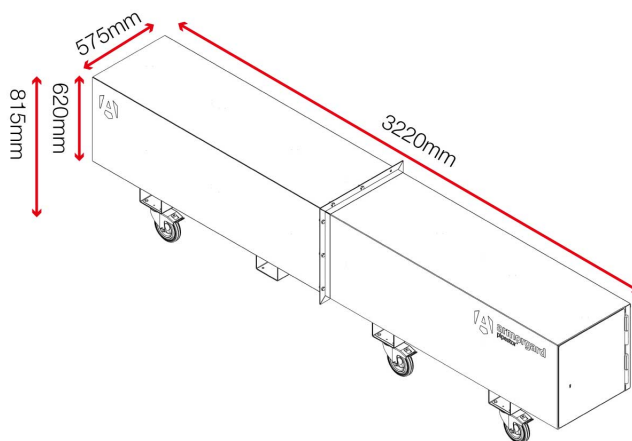


Suitable for site

Product specifications

| | |
|-------------------------------|------------------------------|
| Weight | 133kg |
| Colour | Black grey: RAL 7021 |
| Suitable for | Site |
| Finished coating | Powder coated |
| Material & thickness | 1.6mm steel |
| Quantity of keys | 2 keys |
| Suitable for vehicle mounting | No |
| How are castors fitted? | Quick-fix bolt on castor kit |
| Other sizes available | 1 other size |
| Qty of shelves as standard | No |

Dimensions



Optional extras - Contact Armorgard to find out more



PipeStor extension PS1.5

